



SERVICE BULLETIN NO. SB-08-072

Issue Date: 05/24/2004

SUBJECT: Hendrickson Tiremax, Components Data Sheet

Hendrickson has released Tiremax Components Data Sheet L869, which covers items provided but not factory installed on all Tiremax systems and items factory installed on Tiremax – prepped axles.

Any questions regarding Tiremax Components Data Sheet L869 should be directed to Hendrickson, USA at 866-743-3247 or Canada at 800-668-5360.

Any questions regarding this service bulletin should be directed to Utility's Field Service Department at 800-423-6591.

Field Service Department
UTILITY TRAILER MANUFACTURING COMPANY

TIREMAAX™ COMPONENTS

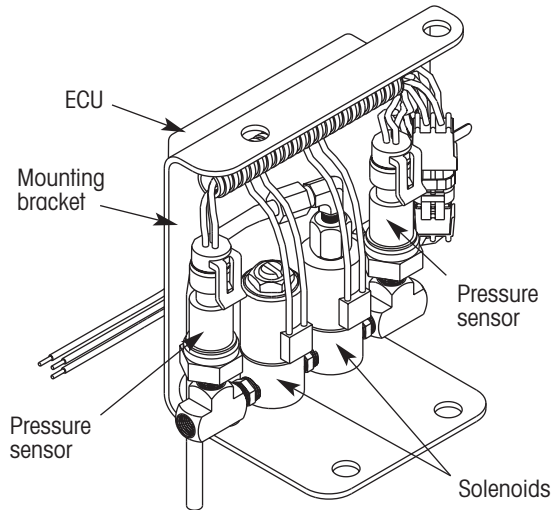
DATA SHEET

LIT NO: L869

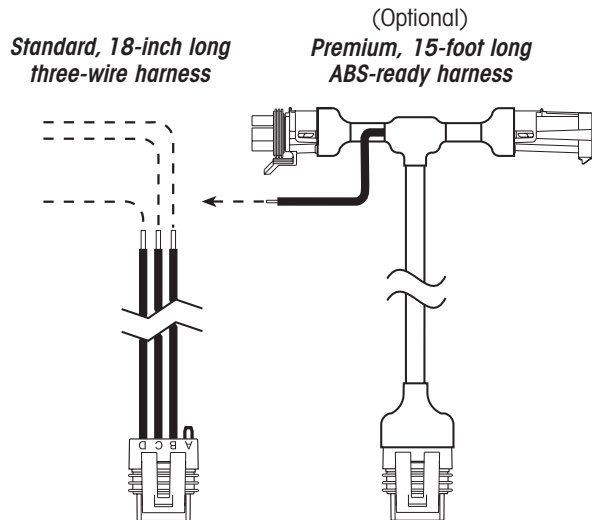
DATE: May 2004

Items provided but not factory installed on all TIREMAAX™ systems

1 CONTROLLER ASSEMBLY



2 HARNESS — (two options)

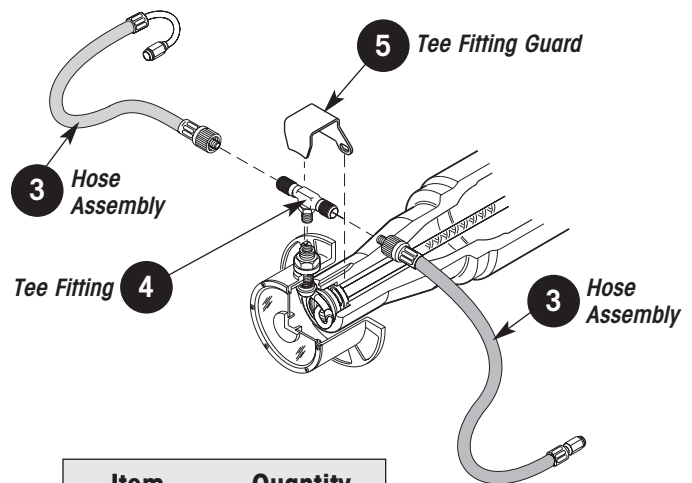


INSTALLATION MATERIALS AND SUPPLIES

The installer may be required to provide the following:

- Spindle plug driver and handle (unless the spindle plugs are already installed in the axle from the factory)
- Air lines and fittings
- Warning lamp and wire
- Optional hand-held programming device to set target tire pressure (if a target tire pressure other than the preset value is desired)
- Controller assembly mounting bolts
- A regulated air supply at or below the target tire pressure (to pressurize the system for leak checks)
- An air chuck with a 1/4-inch push-to-connect fitting (conveniently attaches to the exhaust tube on the controller, used to pressurize the system for leak checks)

Refer to L818 for complete details

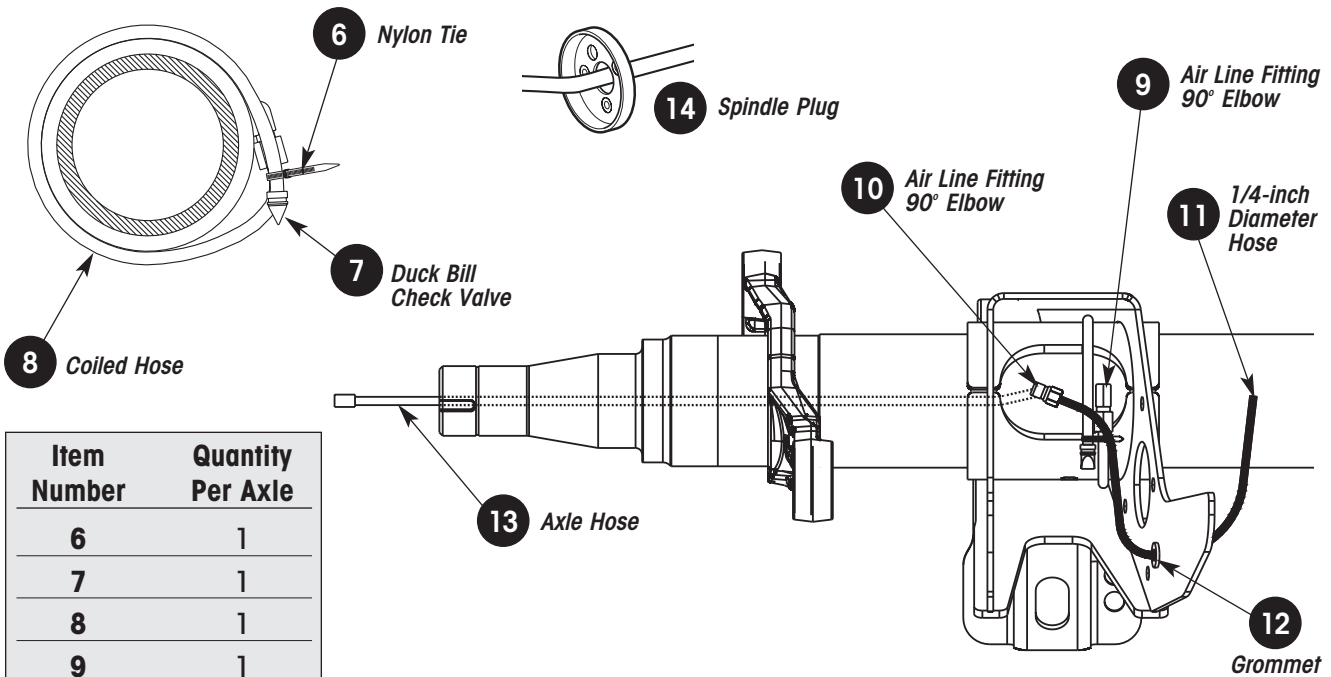


| Item Number | Quantity Per Axle |
|-------------|-------------------|
| 1 | * |
| 2 | * |
| 3 | 4** |
| 4 | 2 |
| 5 | 2 |

* One controller assembly and harness per trailer — up to four axles

** Only two hose assemblies per axle with super single tires

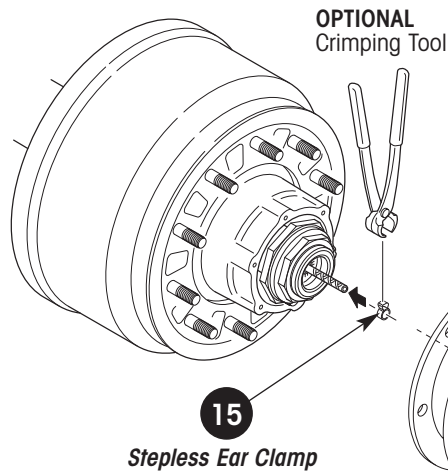
Items factory installed on TIREMAAX™ - prepped axles



| Item Number | Quantity Per Axle |
|-------------|-------------------|
| 6 | 1 |
| 7 | 1 |
| 8 | 1 |
| 9 | 1 |
| 10 | 2 |
| 11 | 2 |
| 12* | 2 |
| 13 | 2 |
| 14 | 2 |

* Not required on all suspension models. Reference L818 for details.

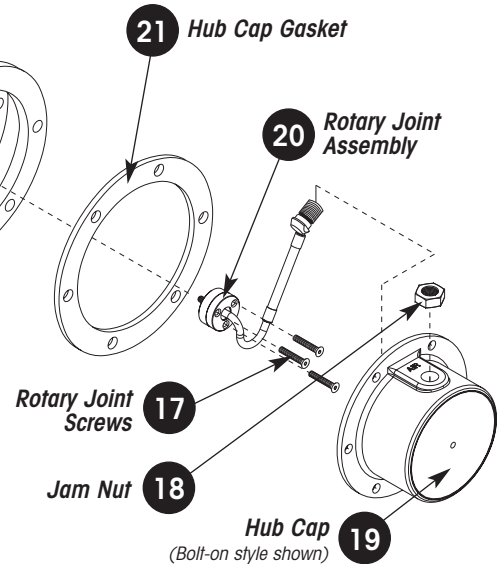
| Item Number | Quantity Per Axle |
|-------------|-------------------|
| 15 | 2 |
| 16 | 2 |
| 17 | 6 |
| 18 | 2 |
| 19 | 2 |
| 20 | 2 |
| 21 | 2 |



16 Hub Cap Spacer Kit
(reference L818 for requirements)
Includes Hub Cap Spacer,
Two Gaskets and Longer
Mounting Bolts

OEM Axle Completion Kit, ordered separately if undressed

Items factory installed on TIREMAAX - prepped, dressed axles



Information contained in this literature was accurate at the time of publication. Product changes may have been made after the copyright date that are not reflected.

Trailer Suspension Systems
2070 Industrial Place SE
Canton, OH 44707-2600 USA

866.RIDEAIR (866.743.3247)
330.489.0045
Fax 800.696.4416

www.hendrickson-intl.com