

SERVICE BULLETIN

UTILITY TRAILER MANUFACTURING CO.



SB-12-017

September 11, 2017

SERVICE ALERT

MAXON

Inspect & Recondition Liftgates Recovered from Flood Waters

Please read the attached document provided by MAXON regarding procedures for inspection of liftgates that have experienced flood impact or water submersion.

If you have any questions regarding the information indicated, please call MAXON at 1.800.227.4116.

All Service Alert related bulletins will be on Utility's public webpage:
<http://www.utilitytrailer.com/service/service-bulletins/#service-alerts>

Field Service Department
UTILITY TRAILER MANUFACTURING COMPANY

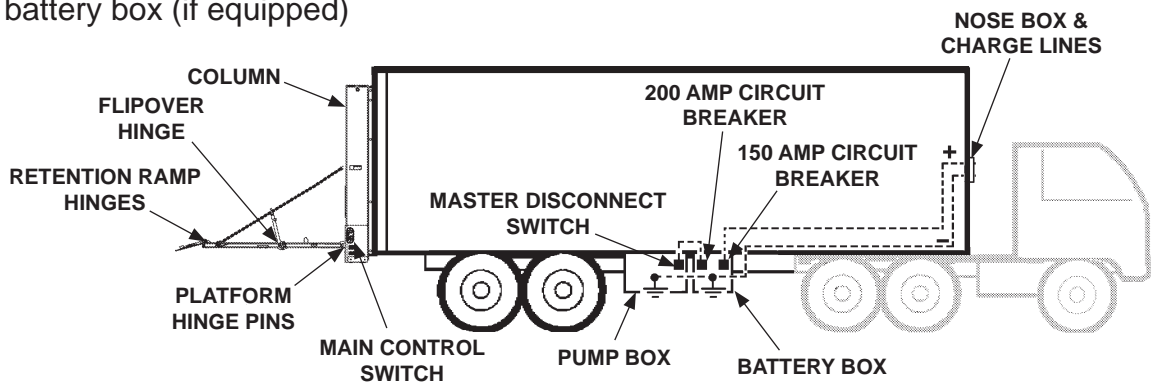
Utility hasn't independently evaluated the information contained in the attached product information letter from MAXON; it is making this available as a convenience and for information purposes. You are encouraged to contact MAXON at (1.800.227.4116) if you have any questions concerning the content of the document, or how these issues affect trailers you are servicing.

Technical Bulletin: Inspect & Recondition Liftgates Recovered from Flood Waters

⚠ CAUTION

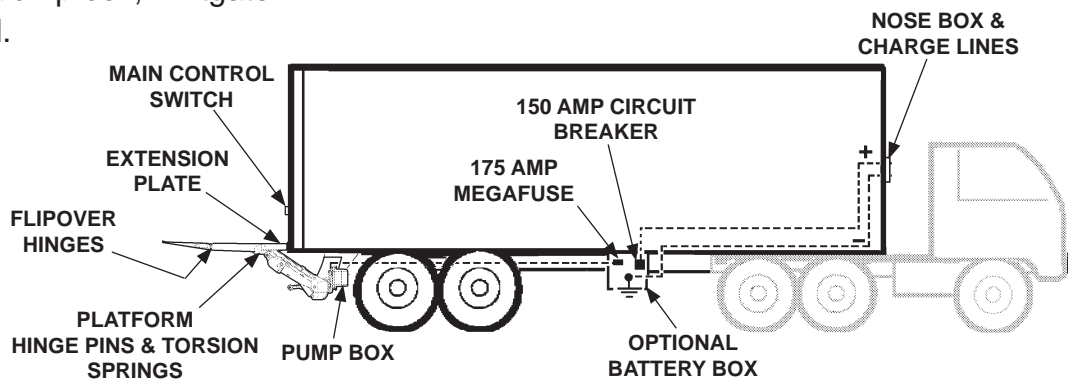
Do not operate liftgate until the liftgate is inspected and serviced, and necessary repairs are completed.

1. Clean all water, dirt and debris from liftgate.
 - Main frame, columns & extension plate
 - Platform
 - Pump box
 - Optional battery box (if equipped)



**BMR LIFTGATE
FIG. 1-1**

2. Drain and flush hydraulic fluid from liftgate hydraulic system.
 - Pump and reservoir
 - All hydraulic lines
 - All valves
 - Cylinders.
 - Replace automotive type spin-on oil filter in the pump box, if liftgate is so equipped.



**TUK-A-WAY LIFTGATE
FIG. 1-2**

3. Replace all electrical parts known to have been submerged in water.
Refer to parts explosions on the Parts Portal at www.maxonlift.com.
 - Electric motor
 - Motor solenoid
 - Smart controller (if equipped)
 - Main control switch
 - Valve coils
 - Auxiliary control switch (if equipped)
 - Cycle counter (if equipped)
 - Electrical harness
 - Circuit breaker
 - Fuse holder and fuse
 - Master disconnect switch (if equipped)

4. If equipped with optional battery box, test condition of the batteries.
Replace batteries if they don't pass load test or hold a charge.

5. Lubricate all critical rotating and pivot points on liftgates. Most are equipped with grease fittings. Refer to the preventive maintenance section of the maintenance manual for lubricant and location of fittings.
 - Grease all tandem roller assemblies on BMR model liftgates.
 - Lubricate slide pads surfaces (spray-on lube, no grease) on BMR and DMD models.
 - Grease wire ropes and sheaves on RC & RCM models.
 - Lubricate all platform hinge areas (spray-on lube, no grease).